

Current part is item (4) on diagram. Available at www.oshkoshequipment.com

(1)	(2)	(3)	(4)	(5)	(6)	(7)	(8)
ILLUS.							QTY
(a)	(b)	SMR	NATIONAL	PART	DESCRIPTION	U/M	INC
FIG.	ITEM	CODE	STOCK	NUMBER	FSCM		IN
NO.	NO.		NUMBER				UNIT
1812-SPECIAL PURPOSE BODIES(CONT'D)							
259	6	PAOZZ	5310-00-959-1488	MS51922-21	96906	NUT,SELF-LOCKING:TOOL BOX TO BODY SUB-FRAME(6 LOCATIONS) SPLASH GUARD MTG(M756A2)	EA 9
259	7	PAOZZ	5305-00-269-2804	MS90726-61	96906	SCREW,CAP,HEXAGON HEAD:TOOL BOX TO BODY SUB-FRAME(6 LOCATIONS)(M756A2)	EA 6
259	8	PAOZZ	5305-00-995-3444	MS35207-266	96906	SCREW,MACHINE:TOOL BOX TO STEP (M756A2)	EA 10
259	9	XBOZZ	2510-00-139-4616	11647829	19207	PLATE,STEP:TO RH TOOL BOX AND CAB PROTECTOR(M756A2)	EA 1
259	10	PAOZZ	5310-00-081-4219	MS27183-12	96906	WASHER,FLAT:TOOL BOX TO STEP (M756A2)	EA 2
259	11	PAOZZ	5310-00-877-5797	MS21044N3	96906	NUT,SELF-LOCKING:TOOL BOX TO STEP(M756A2)	EA 10
259	12	PAOZZ	2510-00-425-6007	11647901-1	19207	DOOR ASSEMBLY:TOOL BOX, RH SIDE(M756A2)	EA 1
259	13	PAOZZ	5305-00-269-2803	MS90726-60	96906	SCREW,CAP,HEXAGON HEAD:SPLASH GUARD TO TOOL BOX (M756A2)	EA 4
259	14	PAOZZ	2540-00-425-6009	11647832-1	19207	SPLASH GUARD:RH FORWARD(M756A2)	EA 1
259	15	PAOZZ	5340-00-432-7245	11647830	19207	BRACKET,ANGLE:SPLASH GUARD, RH FORWARD(M756A2)	EA 1
259	16	PAOZZ	5310-00-172-7172	MS27130-39	96906	NUT,BLIND,RIVET:SPLASH GUARD BRACE TO REAR FUEL TANK SUPPORT (M756A2)	EA 1
259	17	XBOZZ		11647897	19207	BOX,TOOL(M756A2)	EA 1
259	18	MOOZZ		11647898	19207	BOARD,FLOORING:TOOL BOX FLOOR, LH,SIDE(MFD FROM PLYWOOD, NNP530CLA3-8(81348)(M756A2)	EA 2
259	19	PAOZZ	5305-00-995-3444	MS35207-266	96906	SCREW,MACHINE:(5) TOOL BOX DOOR HINGE(M756A2)	EA 10
259	20	PAOZZ	5365-00-425-6005	11623681	19207	SPACER:TOOL BOX DOOR HINGE(M756A2)	EA 2
259	21	PAOZZ	5310-00-877-5797	MS21044N3	96906	NUT,SELF-LOCKING:(5)TO BOX DOOR HINGE(M756A2)	EA 10
260	1	PAOZZ	5310-00-959-1488	MS51922-21	96906	NUT,SELF-LOCKING:REAR SPLASH GUARDS MTG(M756A2)	EA 14
260	2	PAOZZ	5305-00-269-2803	MS90726-60	96906	SCREW,CAP,HEXAGON HEAD:REAR SPLASH GUARDS MTG(M756A2)	EA 14
260	3	XBOZZ		11677141	19207	BRACE:REAR SPLASH GUARD MTG(M756A2)	EA 2
260	4	PAOZZ	2540-00-163-4741	11647832-2	19207	SPLASH GUARD:REAR(M756A2)	EA 2
260	5	XBOZZ		11647831-1	19207	ANGLE,MOUNTING:LH REAR SPLASH GUARD(M756A2)	EA 1

Current part is item (4) on diagram. Available at www.oshkoshequipment.com

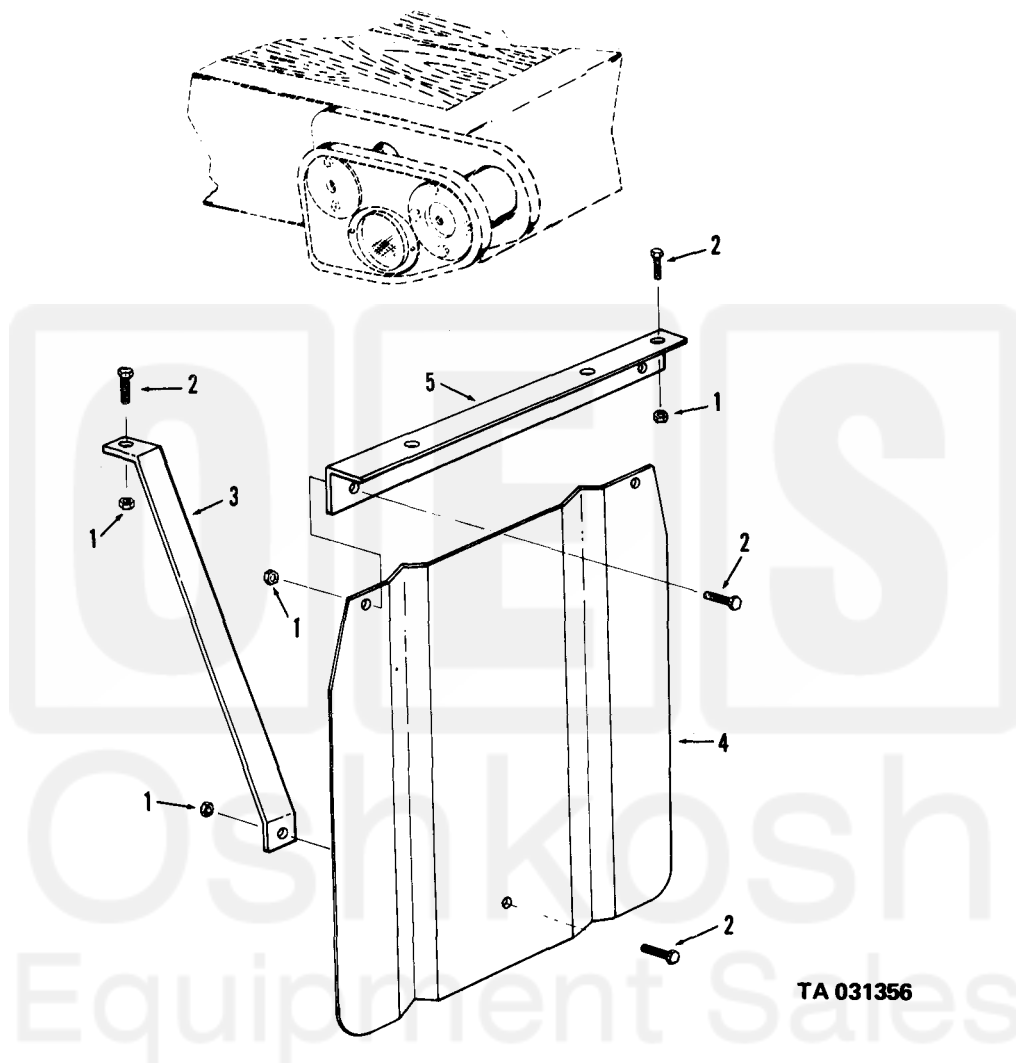


Figure 260. Rear splash guards (M756A2 truck).